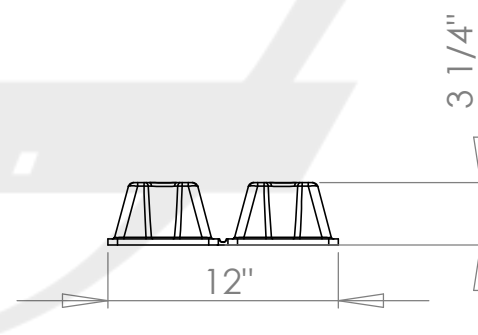
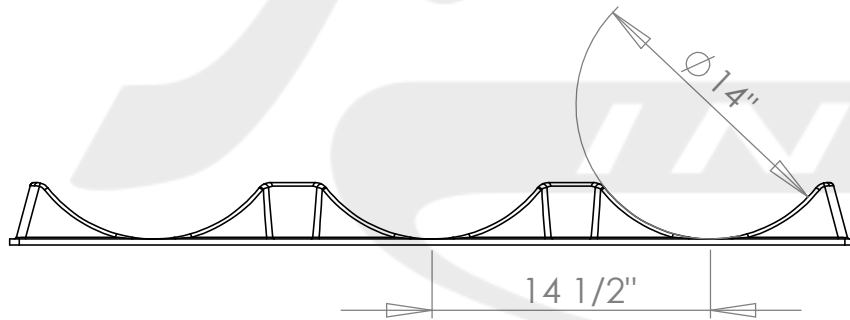
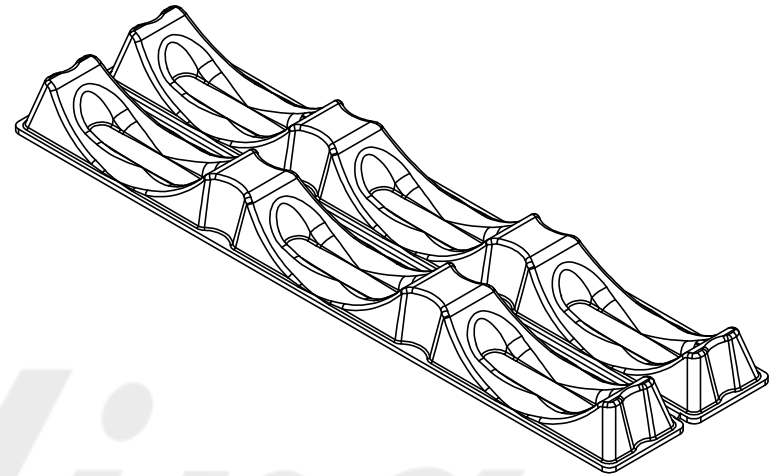
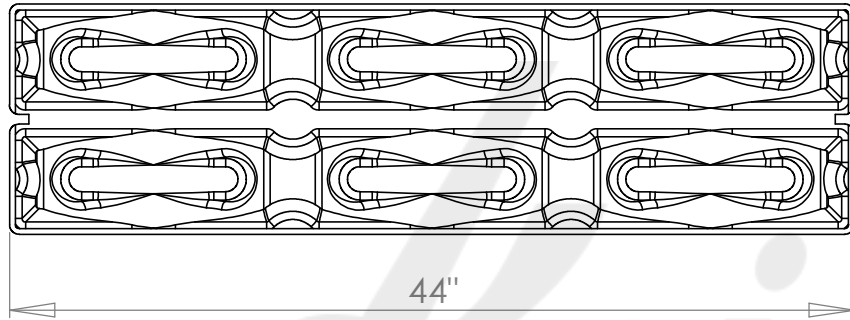



MADE WITH PROPRIETARY CHEMISTRY BLEND
TO CREATE WATER RESISTANT PARTS



		Keiding Cradle: KC-14-T		
		<small>THE INFORMATION CONTAINED IN THIS DRAWING IS THE SOLE PROPERTY OF KEIDING, INC. ANY REPRODUCTION IN PART OR AS A WHOLE WITHOUT THE WRITTEN PERMISSION OF KEIDING, INC. IS PROHIBITED.</small>		
DRAWN BY MJG MATERIAL 60C40N	SIZE A	FILE 2021-016-100	REV A	
TOLERANCE ±0.25"	STD WEIGHT 22 oz.	SCALE: 1:10	DATE: 6/13/2023	SHEET 1 OF 1